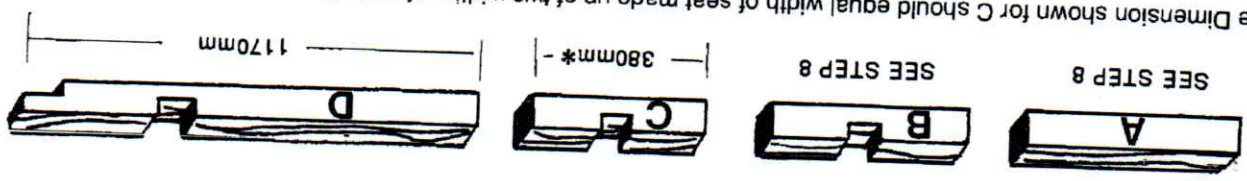


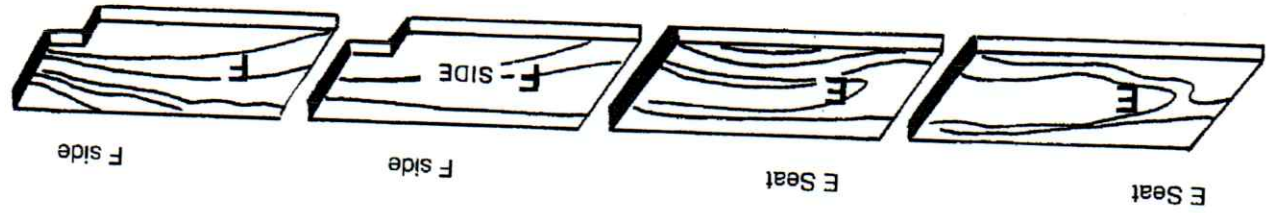
▲ STEP BY STEP ▲

1 Cut these from the 75 x 50 mm DAR

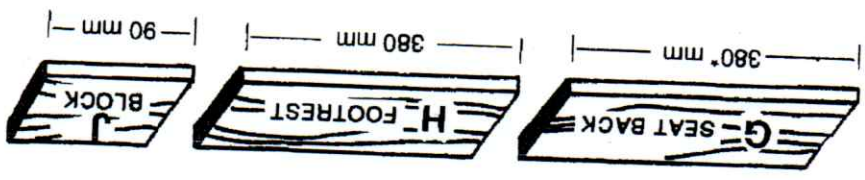


* Note Dimension shown for C should equal width of seat made up of two widths of parts E

2 Cut these from the 200 x 25 mm DAR timber

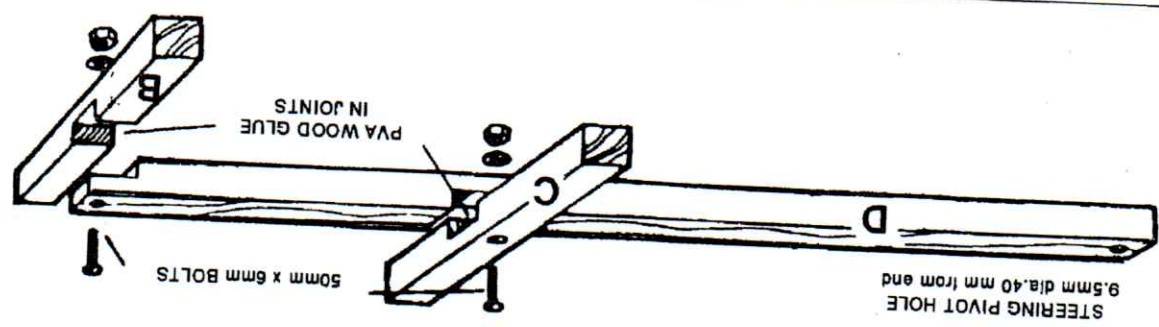


3 Cut these from 75 x 25 mm DAR



* Note dimension G should be equal to width of Part C.

4 **Assembling frame:** Bolt pieces B and C to centre board 'D' as shown. Use 50 mm x 6 mm cup heads bolts, nuts and washers. Head of bolt must be on the top side of D. Ensure that B and C are at right angles (square) with D. To make a stronger joint use a standard PVA wood glue on these joints.



5 **Fitting wheel brackets:** Fix axle brackets to Part A and B, using screws/bolts as appropriate. Heads of bolts must be to the top side of Part D if used. Front wheel brackets must be positioned to allow rope holes on the forward part of Part A and so located that the axle position leaves pivot bolt and nuts accessible for adjustments.

